

HB-127-S Series

HB-127-S-M Monochrome

HB-127-S-C Color



HB-127-S: 25GigE camera with Sony IMX661

HB-127-S features the Sony IMX661 CMOS sensor. At full resolution (13400 x 9528), you get 19.9 frames per second. Its ultra high-speed SFP28 - 25GigE interface offers many benefits including low-cost accessories, low CPU overhead, low latency, low jitter, and accurate multi-camera synchronization using IEEE1588. In addition, 25GigE SFP28 offers three supported cabling options for cable lengths from 1M to 10KM.

Benefits

- » High-speed 25GigE SFP28
- » 25x the speed of GigE
- » Ultra high data/frame rates
- » GigE Vision® and GenICam™ compliant
- » Optional IP67 housing

Applications

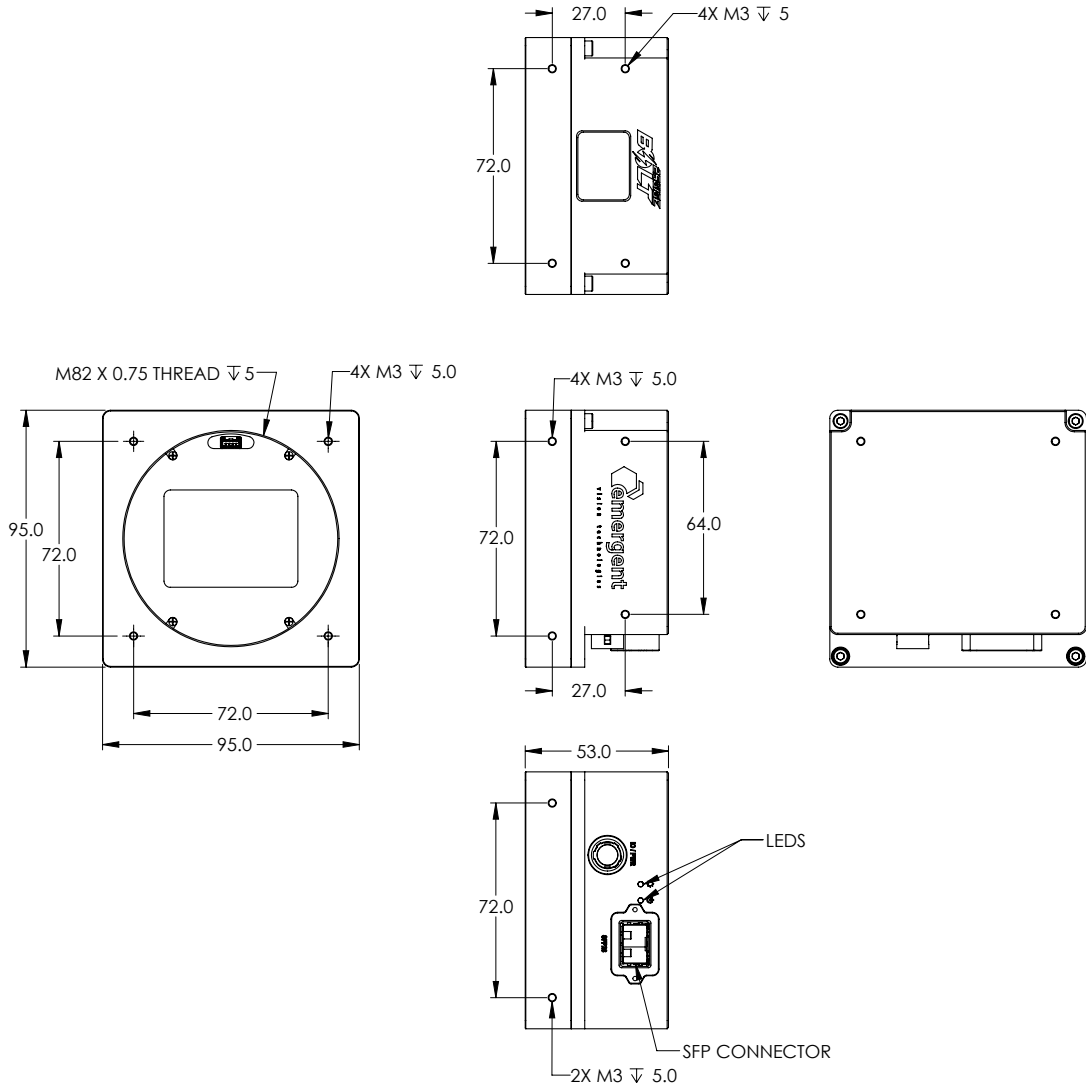
- » Virtual Reality
- » Goal Line Technology
- » Volumetric Capture
- » Motion Capture
- » Immersive 3D Content
- » Finish Line Vision
- » Referee Assist
- » Flat Panel Inspection
- » Machine Vision

Specifications

Sensor	IMX661
Resolution	13400 x 9528
Megapixels	127.7MP
Sensor Type	56.7 mm CMOS
Max Frame Rate	19.9fps @ 8-bit 19.9fps @ 10-bit 19.9fps @ 12-bit
Cell Size	3.45x3.45µm
Standard Mount	M60, EF/F Mount Available
Shutter	Global
Bit Depth	8, 10, & 12 bit
GPIO / Triggering	3 in, 3 out Software, External (Pulse or Edge)
Interface	25GigE SFP28
Exposure/Integration*	1µs – 1s
Dynamic Range	>66db
Monochrome Modes	Mono8, Mono10, Mono10Packed, Mono12, Mono12Packed
Color Modes	RGB8, BGR8, YUV411, YUV422, YUV444
Raw Modes	BayerRG8, BayerRG10, BayerRG10Packed, BayerRG12, BayerRG12Packed
Operating System	Win10 (64 bit), Linux (64 bit)
Compliance	CE, FCC, RoHS, WEEE, GigE Vision, GenICam
Power Requirements	12V
Operating Temperature	0C- 45C
Storage Temperature	-30C to +60C
Dimensions & Weight	95 x 95 x 53- 800g
Warranty	2 Years

*all minimum exposure specs can vary from what is listed based on the limitations of each sensor as per notice from the manufacturer.

Mechanical drawings



Any Questions?

1-866-780-6082

sales@emergentvisiontec.com