

# Alvium 1800 U

## -501m NIR

- AR0522 CMOS sensor
- ALVIUM image processing
- USB3 Vision
- Various hardware options

### Model without hardware options

#### Versatile USB camera with AR0522 sensor

Alvium USB cameras are designed for use in both machine vision and embedded applications. Offering high image quality and reducing workload for the host, Alvium enables innovation among system designers. The innovative ALVIUM System on Chip (SoC) performs image corrections and preprocessing tasks onboard the camera instead of the host computer. Unlike FPGAs commonly used in machine vision cameras, the ALVIUM SoC is extremely power efficient. With Alvium, integrating hardware and software can be done effortlessly, which ultimately reduces development time. The ON Semi AR0522 CMOS sensor enables high-quality imaging at 5.0 megapixel and 67 frames per second with near infrared (NIR) enhancement. NIR enhanced models ship without a filter or protection glass.

#### Benefits and features

- Monochrome (1800 U-501m NIR) model
- ALVIUM<sup>®</sup> Technology for on-board image processing
- USB3 Vision interface for GenICam SFNC features
- Platform concept that enables the operation of different Alvium camera models with a common software
- Micro-B USB 3.1 Gen 1 connector with screw locks for industrial applications
- Precise sensor-to-lens mount alignment
- Standard M3 mounting holes for top and bottom mounting, standard M2 mounting holes for front mounting
- Industrial performance for both embedded and machine vision applications



## Hardware options

- Housings: Bare board, open housing, or closed housing
- Various lens mounts: C-Mount, CS-Mount, or S-Mount
- USB connector position: Select between the back panel or the left side of the camera (seen from the sensor side).

For more information on hardware options, including product codes and technical data, such as technical drawings and mass, see the [Alvium Cameras Hardware Options](#) document.

## Available accessories

- Tripod adapter
- USB 3.1 Gen 1 cable with screw connectors in various lengths
- I/O cables in various lengths
- Various lenses and Allied Vision S-Mount lenses with focal lengths 2.97 - 12 mm

## Specifications

<b>Alvium 1800 U</b>	<b>-501m NIR</b>
Interface	USB3 Vision
Resolution	2592 (H) × 1944 (V)
Spectral range	300 to 1100 nm
Sensor	ON Semi AR0522
Sensor type	CMOS
Shutter mode	Rolling shutter
Sensor size	Type 1/2.5
Pixel size	2.2 μm × 2.2 μm
Lens mounts (available)	C-Mount, CS-Mount, S-Mount
Max. frame rate at full resolution	67 fps at ≥350 MByte/s, Mono8
ADC	10 Bit
Image buffer (RAM)	256 KB
Non-volatile memory (Flash)	1024 KB

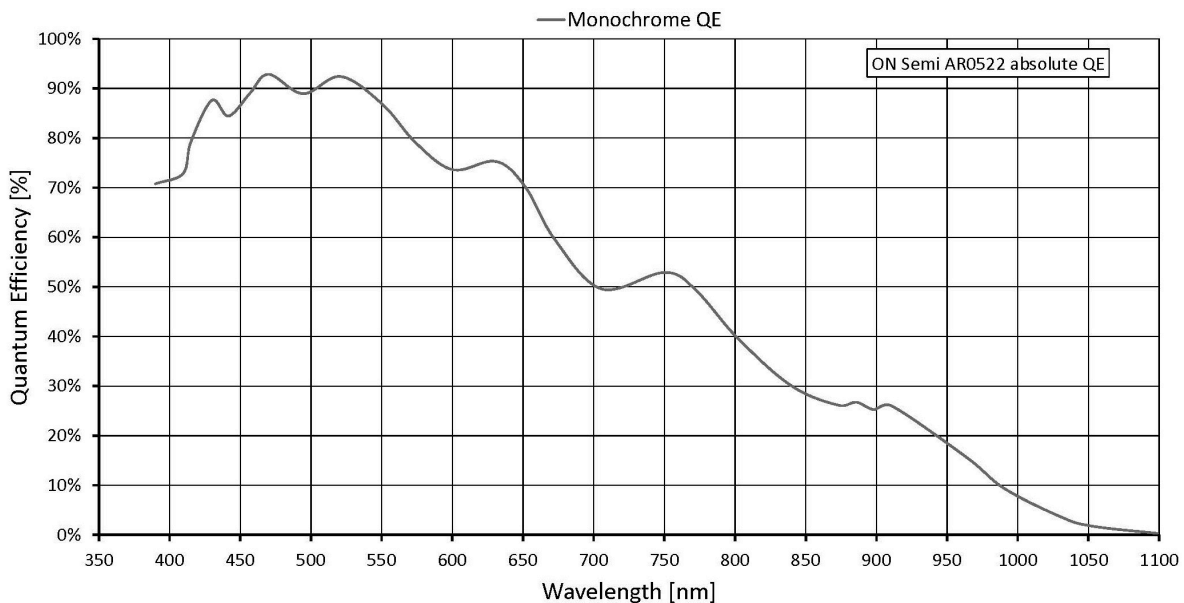
### Imaging performance

Imaging performance data is based on the evaluation methods in the EMVA 1288 Release 3.1 standard for characterization of image sensors and cameras. Measurements are typical values for NIR models measured without optical filter.

Quantum efficiency at 529 nm	84 %
Quantum efficiency at 850 nm	30 %
Temporal dark noise	0.6 e <sup>-</sup>
Saturation capacity	10600 e <sup>-</sup>

<b>Alvium 1800 U</b>	<b>-501m NIR</b>
Dynamic range	63.1 dB
Absolute sensitivity threshold	7.4 e <sup>-</sup>
<b>Output</b>	
Bit depth	Max. 10 Bit
Monochrome pixel formats	Mono8, Mono10
<b>General purpose inputs/outputs (GPIOs)</b>	
TTL I/Os	4 programmable GPIOs
<b>Operating conditions/dimensions</b>	
Operating temperature	+5 °C to +65 °C housing temperature (with heat sink)
Power requirements (DC)	Power over USB 3.1 Gen 1   External power 5.0 V
Power consumption	USB power: 2.2 W (typical)   Ext. power: 2.4 W (typical)
Mass	15 g (bare board)
Body dimensions (L × W × H in mm)	13 × 26 × 26 (bare board, standard), 13 × 30 × 26 (bare board, 90°)
Regulations	2011/65/EU, including amendment 2015/863/EU (RoHS)

## Quantum efficiency





## Features

### Image control

#### Auto control

- Auto exposure
- Auto gain
- Auto features regions control
- Auto features algorithms control

#### Other image controls

- Black level
- Contrast
- DPC (factory calibrated)
- Exposure time
- Gain
- Gamma
- Region of interest (ROI)
- Reverse X/Y

### Camera control

- Sync out modes: Trigger ready, input
- Temperature monitoring (sensor board)
- Test image
- LED luminance control
- Firmware update

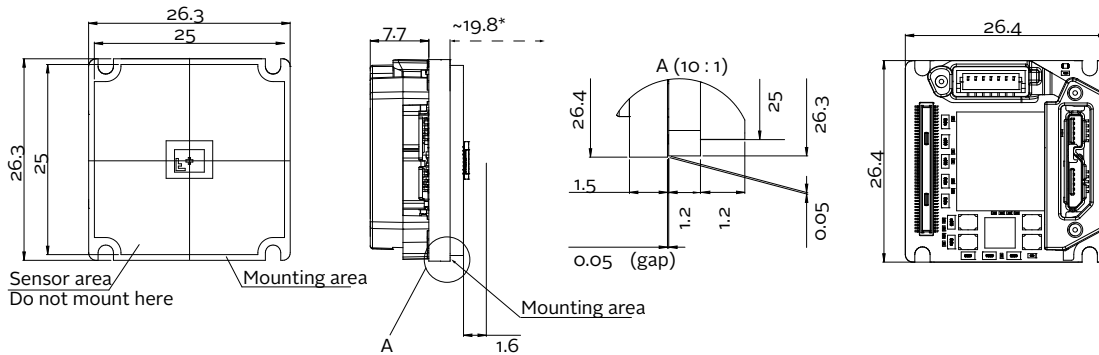
## Technical drawing



### Camera hardware options

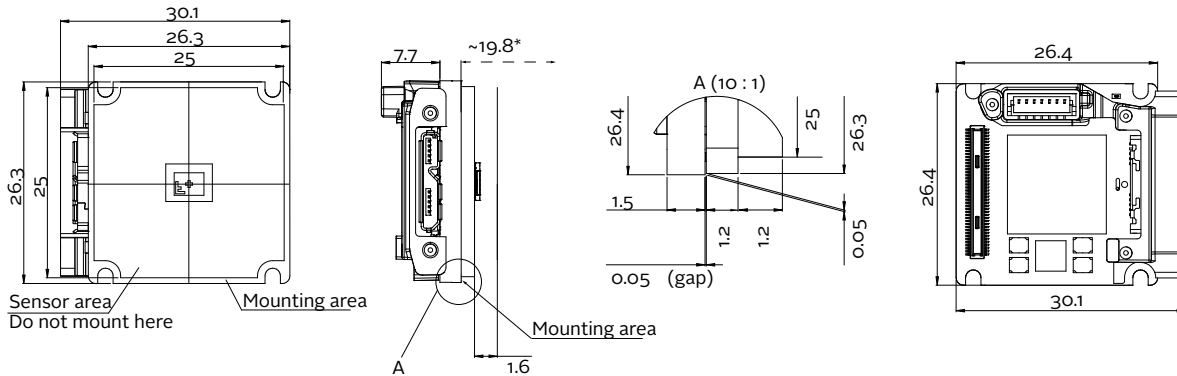
The [Alvium Cameras Hardware Options](#) document informs about submodels, such as bare board or open housing cameras with different lens mounts.

#### Bare Board



\*Mechanical length for C-Mount, for other mounts and details, see the user guide.

#### Bare board 90°



\*Mechanical length for C-Mount, for other mounts and details, see the user guide.